

15.6" Panel PC



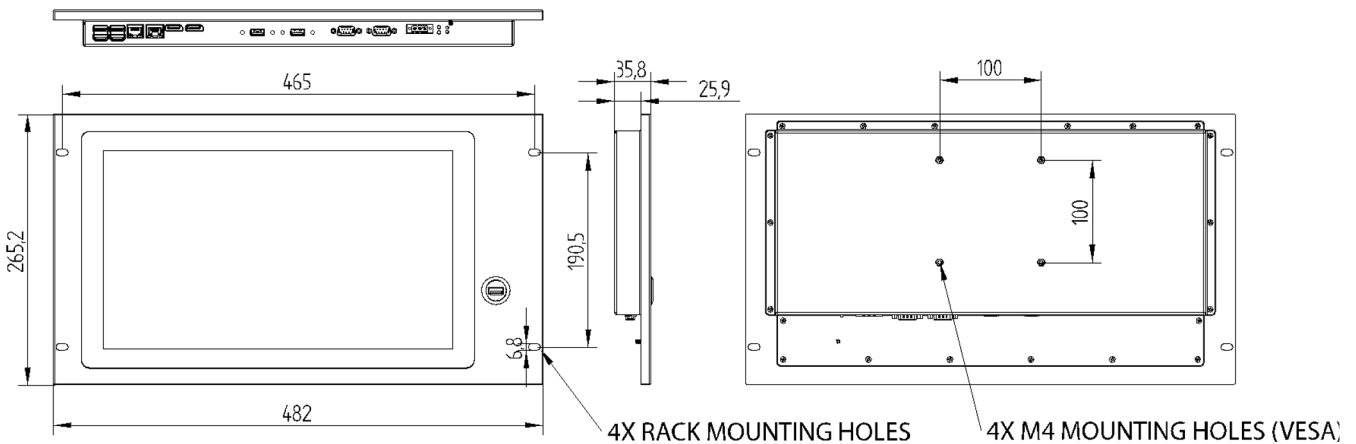
Overview



TECHNICAL INFORMATION

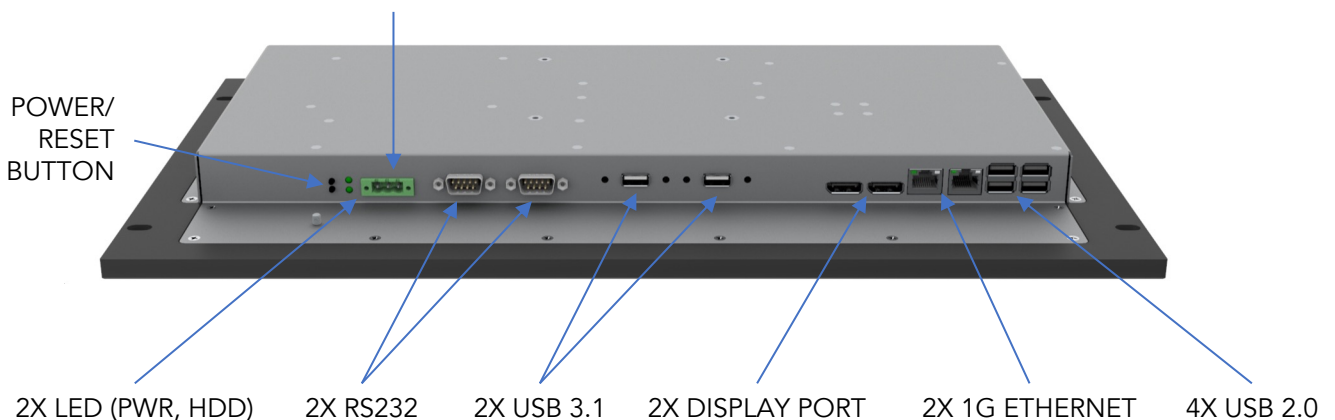
Display	15.6" Full HD capacitive touch screen 1920x1080
Communication	4x USB2.0 2xUSB3.1 2xRS232
External memory slots	2x 10/100/1000 LAN
CPU	Processor: Intel J4005 (Option: J5005, Core i3,i5,i7)
Operating system	Windows 10 IOT Enterprise (option Linux)
Touchscreen	VESA MOUNT (100x100mm)
Connection/Interface	24V/1.5A power, passive design

Dimension




Connectors

POWER CONNECTOR (+ | CHASIS | -), mating connector: Phoenix PN# 1777992




DataVision



 5. Května 1746/22, Prague, Czech Republic

 info@datavision.software

 +420 737 240 516

 www.datavision.software