

17.3" Panel PC



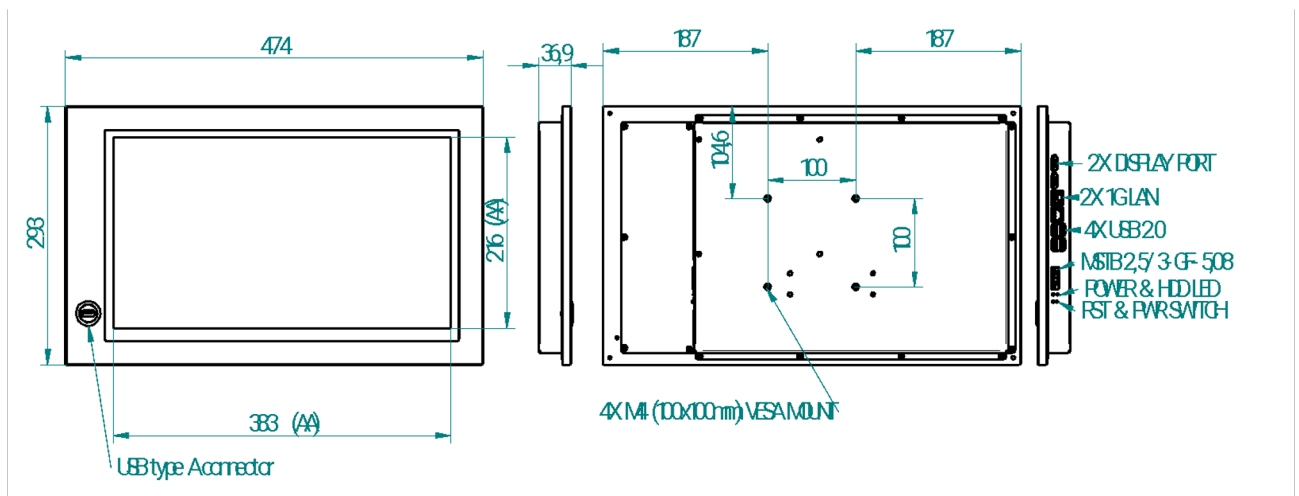
Overview



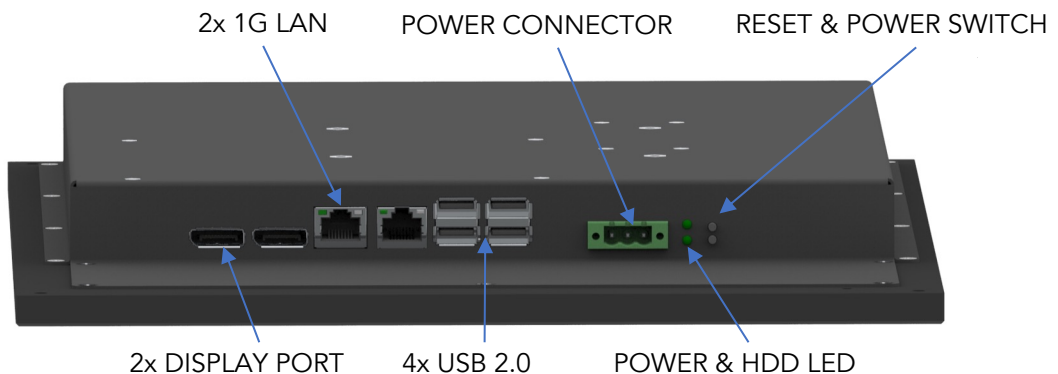
TECHNICAL INFORMATION

| | |
|-----------------------|--|
| Display | 17.3" Full HD capacitive touch screen 1920x1080 |
| Communication | 4x USB2.0 2xUSB3.1 2xRS232 |
| External memory slots | 2x 10/100/1000 LAN |
| CPU | Processor: Intel J4005 (Option: J5005, Core i3,i5,i7) |
| Operating system | Windows 10 IOT Enterprise (option Linux) |
| Touchscreen | VESA MOUNT (100x100mm) |
| Connection/Interface | 24V/1.5A power, passive design |

Dimension




Connectors




DataVision



 5. Května 1746/22, Prague, Czech Republic

 info@datavision.software

 +420 737 240 516

 www.datavision.software