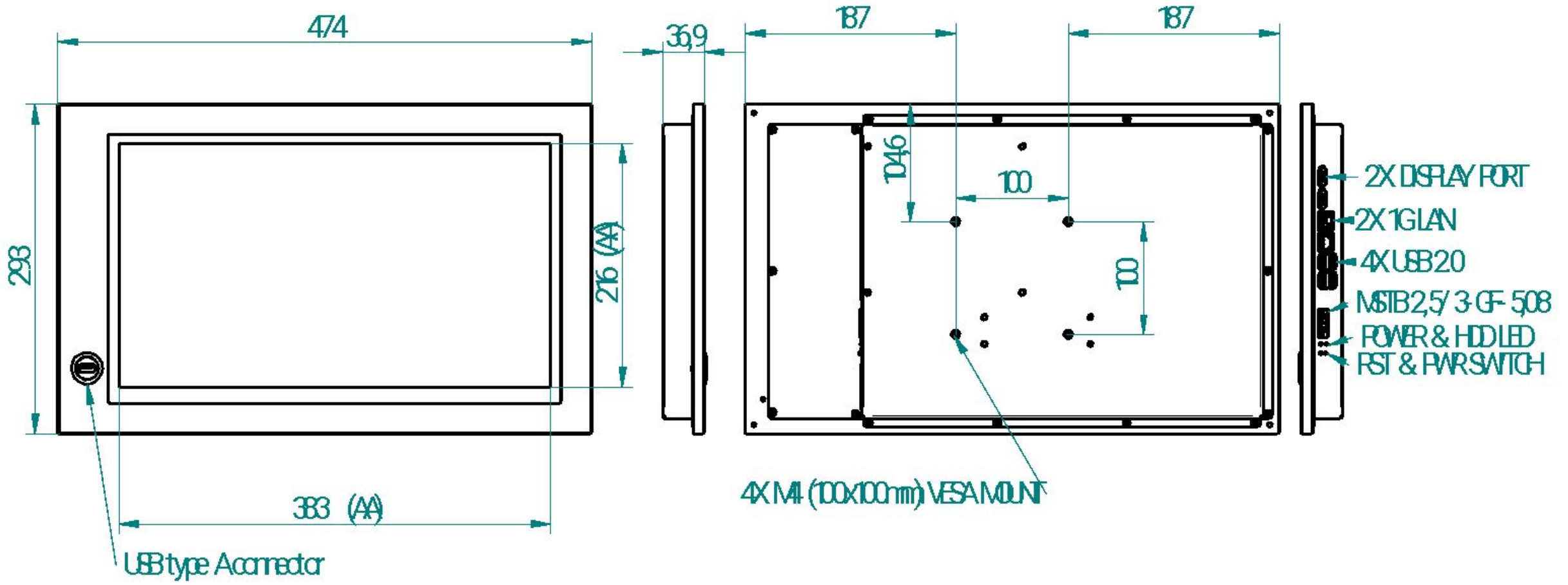
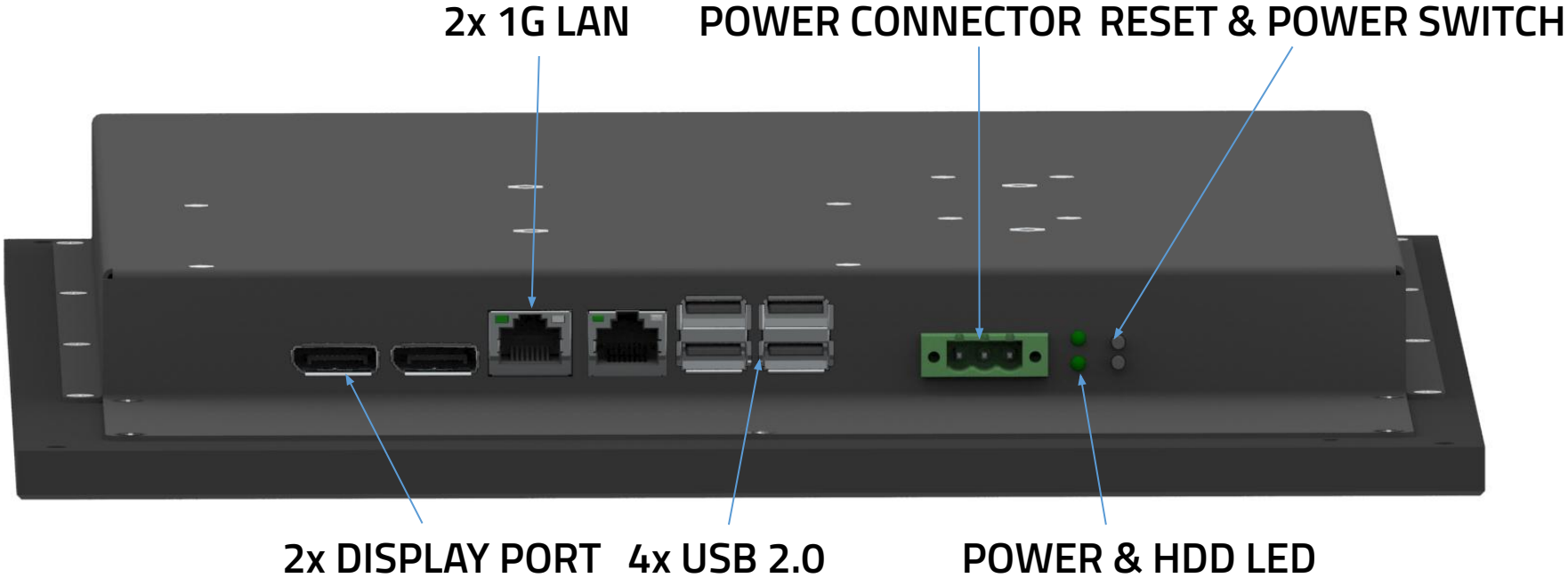


15.6" Full HD capacitive touch screen 1920x1080  
4x USB2.0, 2xUSB3.1, 2xRS232  
2x 10/100/1000 LAN  
Processor: Intel J4005 (Option: J5005, Core i3,i5,i7)  
Standard: 120G M.2 disk, 4GB <RAM  
Windows 10 IOT Enterprise (option Linux)  
VESA MOUNT (100x100mm)  
24V/1.5A power, passive design





**Cleartex, s.r.o.**

**Amperova 649**

**46312 Liberec**

**Czech republic**

**[info@clear-tex.com](mailto:info@clear-tex.com)**