

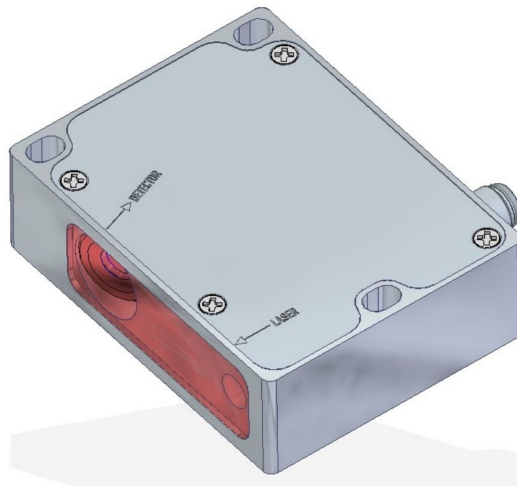
DataVision

DVD1

Distance Measurement

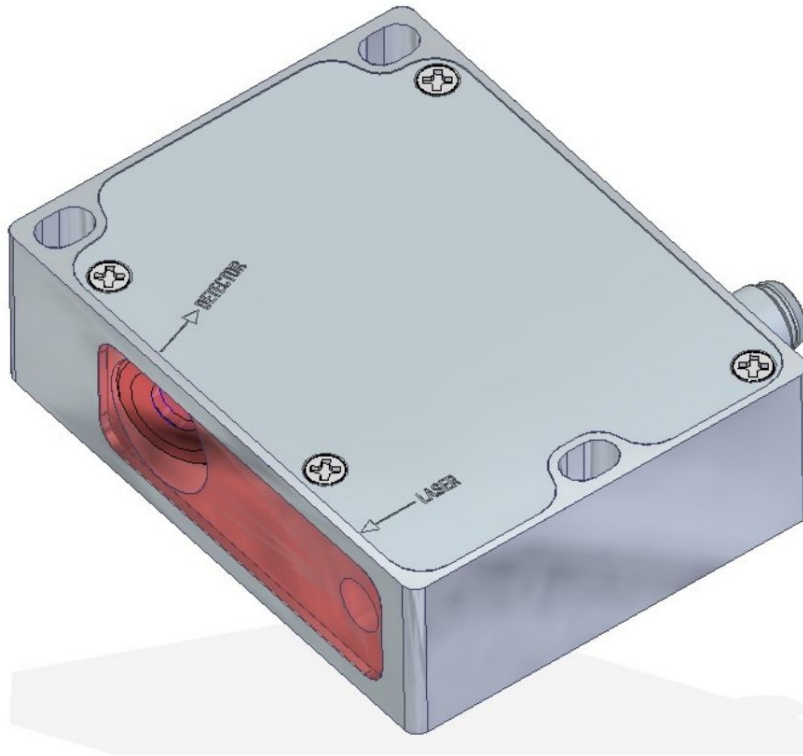


Precise Laser Distance Measurement
Triangulation Sensor



DVD1 50-350

Precise Laser Distance Measurement Triangulation Sensor



DESCRIPTION

High-performance distance triangulation sensor with different interfaces for accurate distance measurement. It is ideal for applications in the Automotive industry, Electronics & Solar and other types of industries. Thanks to high precision and commonly used output interface it could be used in a wide range of applications with easy integration into PLCs.

DVD1 50-350

Precise Laser Distance Measurement Triangulation Sensor



HIGHLIGHTS

- Cost-effective precise distance measurement
- Different measuring Variants possible
- No external controller needed
- SW Studio for sensor settings
- Measuring range 50 to 250mm with resolution 10 - 100um
- Compact Aluminium housing
- Customisation possibilities distance/outputs etc.



FEATURES

- Long measuring range: 50 to 250 (350) mm
- RS232 (analog) interface
- Aluminum housing
- Price competitive

DVD1 50-350

Precise Laser Distance Measurement Triangulation Sensor

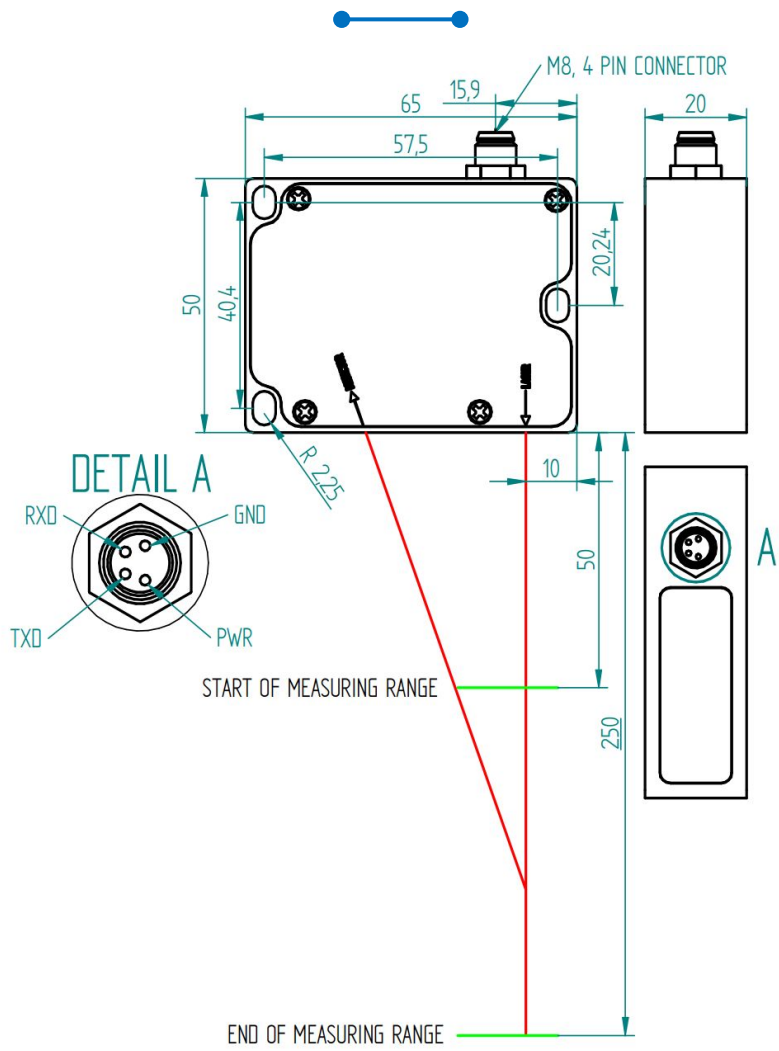


TECHNICAL SPECIFICATION

Measurement Range	50 to 250 (350) mm
Resolution	10 to 100 μ m
Linearity error	max. \pm 0.2 mm
Response Time	1 kHz (option: up to 50kHz)
Laser	670 nm, Class II, <1mW
Communication	RS232, baud rate 38400, Adjustable
Power	5VDC (10mA) to 24 Vss (30mA)
Material	Aluminum, Glass
Weight	105g
Dimensions	65 x 50 x 20 mm
Connector	M8, 4 pin
Operating temperature	0 ... +50 $^{\circ}$ C
Protection Class	IP67

DVD1 50-350

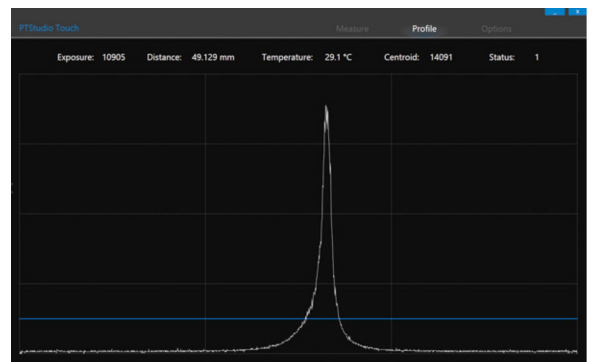
Precise Laser Distance Measurement Triangulation Sensor



Sw Studio:



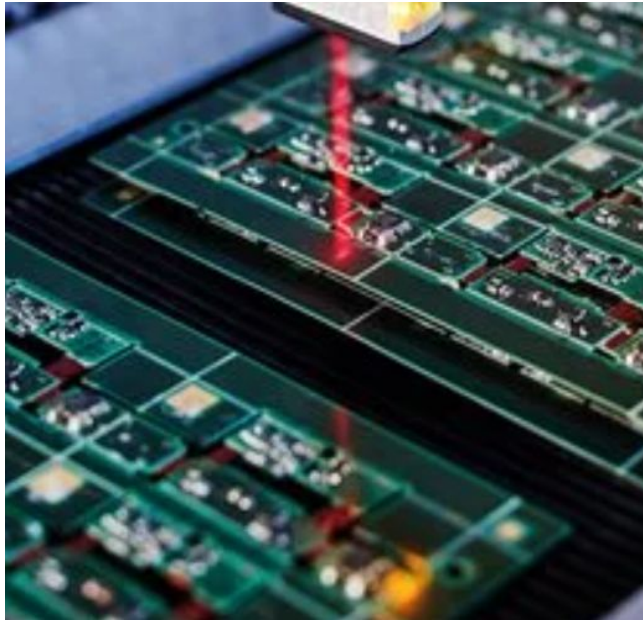
Example 1



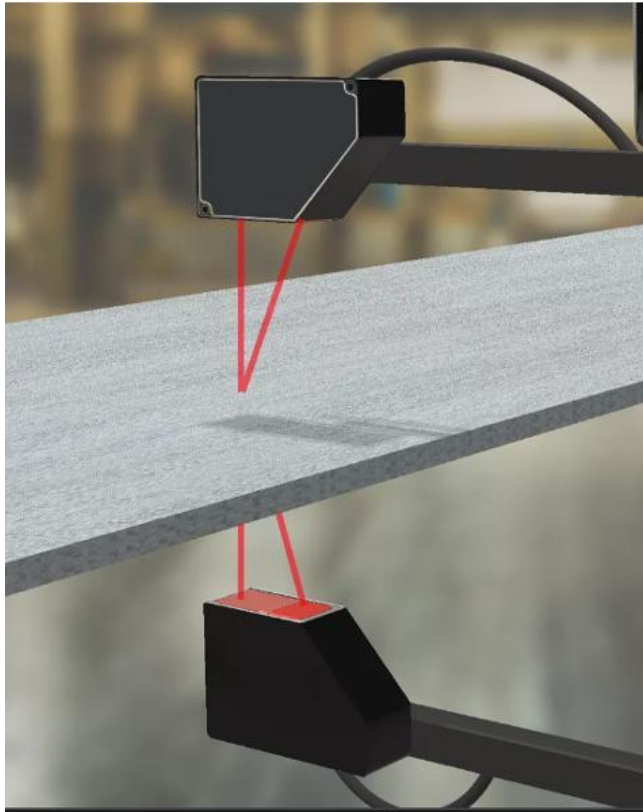
Example 2

DVD1 50-350

Precise Laser Distance Measurement Triangulation Sensor



Example 1



Example 2

DataVision



5. Května 1746/22, Prague, Czech Republic



info@datavision.software



+420 737 240 516



www.datavision.software